

# IVECO

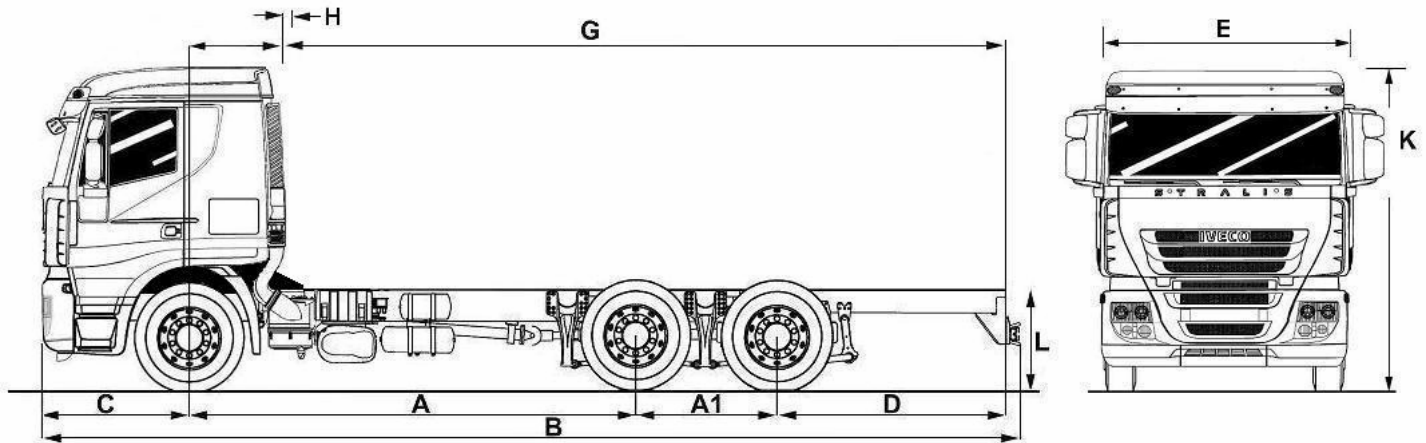
## STRALIS

### ACTIVE SPACE<sup>3</sup>

### AS260S45Y/FP-GV

# E5

### 6x2 Drawbar – high cube



<b>PLATED/DESIGN WEIGHTS (kg)</b>		<b>GVW</b>	<b>GTW</b>	<b>Front Axle</b>	<b>Rear Axle</b>	<b>Tag Axle</b>	
Plated weights		25700	44000	7100	11500	7100	
Design weights		26000	44000	8000	13000	8000	
<b>KERBWEIGHTS (kg) – WHEELBASE</b>		<b>4200</b>	<b>4500</b>	<b>4800</b>	<b>5100</b>		
Front		4530	4535	4505	4520		
Rear		2970	2985	2995	3000		
Total		7500	7520	7500	7520		
<b>MAXIMUM BODY/ PAYLOAD (kg)</b>	<b>GTW</b>	36500	36580	36500	36480		
<b>DIMENSIONS (mm)</b>							
<b>A</b>	Wheelbase	4200	4500	4800	5100		
<b>A1</b>	Rear bogie spread	1395	1395	1395	1395		
<b>B</b>	Overall length (over bumpers)	9262	9518	9817	9847		
<b>C</b>	Front overhang	1410	1410	1410	1410		
<b>D</b>	Rear overhang	2117	2073	2073	1802		
<b>E</b>	Cab width (over front bumper)	2550	2550	2550	2550		
<b>F</b>	C/line f/axle to back of cab equip	855	855	855	855	sleeper	
<b>G</b>	Back of cab to end of frame	6857	7113	7413	7442	sleeper	
<b>H</b>	Cab gap	120	120	120	120	sleeper	
<b>K</b>	Cab height (unladen r.o.f.)	3190	3190	3190	3190		
<b>L</b>	Frame height	905	905	905	905		
	Frame thickness	6.7	6.7	6.7	6.7		
	Turning circle (wall to wall)	17830	18630	19330	19930		
<b>TYRES &amp; WHEELS</b>							
		<b>Tyre Size</b>		<b>Tread</b>		<b>Wheels</b>	
		<b>Front</b>	<b>Rear</b>	<b>Front</b>	<b>Rear</b>	<b>Front</b>	<b>Rear</b>
Standard		315/60R22.5	315/60R22.5	On Road	Traction	22.5x9.00	22.5x9.00
Optional		315/60R22.5	295/60R22.5	On Road	Traction	22.5x9.00	22.5x9.00
Optional							

**NOTES**  
Weights are to standard specification and include water, oils and 20 litres of fuel but exclude driver. Kerb weights are subject to a manufacturing tolerance of +/-5%.  
February 2008

# IVECO

## STRALIS

### ACTIVE SPACE<sup>3</sup>

### AS260S45Y/FP-GV

# ES

## 6x2 Drawbar – high cube

<b>ENGINE</b>	Iveco Cursor 10
Cylinders	6
Bore (mm)	125
Stroke (mm)	140
Capacity (litres)	10.3
Power (PS/kW)	450/331
@ rpm	1550-2100
Torque (Nm/lbft)	2100/1549
@ rpm	1050-1550
Green Zone @ rpm	1100-1500
Rating	Euro 5
Cooling Fan	3 speed electro- magnetic
Fuel System	Unit Injector System
Turbocharger	Variable geometry
Exhaust	SCR catalyst system
Speed Limiter	Standard 90 Kilometre/hr @ 1375 rpm
Engine Immobiliser	Standard

<b>GEARBOXES</b>	Eurotronic AS2330 TD
1 <sup>st</sup>	15.86
2 <sup>nd</sup>	12.33
3 <sup>rd</sup>	9.57
4 <sup>th</sup>	7.44
5 <sup>th</sup>	5.87
6 <sup>th</sup>	4.57
7 <sup>th</sup>	3.47
8 <sup>th</sup>	2.70
9 <sup>th</sup>	2.10
10 <sup>th</sup>	1.63
11 <sup>th</sup>	1.29
12 <sup>th</sup>	1.00

Rev 1	14.68
Rev 2	11.41

#### PERFORMANCE

– with Eurotronic AS2330 TD gearbox and standard tyres

Axle ratios available	2.64	2.85
Geared speed (mph)	77	72
Gradeability % @ GVW	40+	40+
Gradeability % @ GTW	40+	40+

#### CLUTCH

Type	Single plate, diaphragm spring, pull type. Asbestos free
Diameter / Friction area	432 mm / 994 cm <sup>2</sup>

#### BRAKES

Type	Electronic braking system (EBS)
Front	436mm ventilated disc
Rear	436mm ventilated disc
Park brake	Actuates spring brake chambers on front axle and drive axle

Iveco turbo brake (de-compression engine brake)	Standard
Heated air drier	Standard
Air reservoirs	Aluminium
ABS	Standard
ASR Traction Control	Standard
Trailer ABS (EBS) connections	Standard

#### CHASSIS

Type	Ladder construction with pressed steel side members and riveted and bolted cross members, trailer air and electrical connections
------	--

#### FUEL TANK

Type	280 litres, aluminium
	Locking fuel cap

#### AdBlue Tank

Type	55 litres, plastic heated
------	---------------------------

#### ELECTRICS

Type	24v negative earth return
Alternator	28v, 90A
Starter	24v, 5.5kW
Battery	2 x 12v, 220Ah
Isolation switch	Electronically controlled
	All circuits protected by fuses
	Multiplex 4 CAN line data bus system

#### SUSPENSION

Front	Parabolic + Pneumatic
Rear	Pneumatic (ECAS)
Anti-roll bar	Front and rear
Shock Absorbers	Front and rear

#### STEERING

Type	Power assisted
Ratio	22.2:1 - 26.2:1

#### AXLES

Front	Iveco 5876 I-beam with oil filled hubs
Rear	Meritor MS13-175 Hypoid
Tag	Iveco 55080
	Non-lifting rigid axle with single wheels
Diff Lock	Standard
Standard Ratios	Eurotronic AS2330 TD gearbox 2.64

#### CAB INTERIOR

**Active Space Cab:** Interior incorporating. Heated air suspended 3-way adjustable driver's seat with pneumatic adjustable lumbar support, and inertia reel belt. Soft feel dashboard and multi-functional steering wheel incorporating touch button menu controls for the real time digital display. Satin silver finish instrument dial surrounds, dash and central console inlays. Dual scale speedometer. All gauge functions monitored using international symbols. Heater with 4-speed fan for airflow up to 600m<sup>3</sup>/hr, 12kW output. Air conditioning. Eberspacher night heater. Slide out fridge. Left and right hand entry assist handles. Adjustable steering column, 2 column mounted control stalks, left stalk operating the indicators, main beam, windscreen wash wipe, right stalk operating Eurotronic 2 gear change, engine brake, cruise control and variable speed limiter. Left of the steering column is the console mounted Eurotronic gearbox controls for automatic and semi-automatic modes, neutral, reverse and low speed manoeuvring mode (forward and reverse). Overhead console for CB radio. Automatic electronic 2-man tachograph. Remote control radio/CD, aerial and speakers. Two corner spot lamps illuminating cab access. Two centrally mounted spot lamps, side courtesy / night time driving lights, one map reading light. Cellular phone preparation. Vehicle data interface (FMS). Electrically operated roof vent. Standard three piece lower bunk incorporating a seating area, comfort seat, inertia reel belt, fold away central table, illuminated by two spot lamps. Flat floor-covering the living area of the cab. Lower bunk control panel incorporating switches for roof vent and interior lights, 12V socket and alarm clock. Electric operated windscreen blind. Door roller blinds. Curtains to enclose the entire cab area.

#### CAB EXTERIOR

**Active Space Cab:** forward control sleeper. Galvanised pressed steel construction with SMC for vulnerable parts. New design 4 bellow air suspension and dampers. Electrical Hydraulic cab tilt to 60° deg. Tinted electric door windows and laminated screen. Air horns. External sun visor. Heated and electrically controlled rear-view mirrors, plus kerb, wide-angle mirrors and front view mirror. Remote controlled central locking. Colour coded bumper. Additional head and fog lights. Head lamp jet wash Left and right hand external under cab stowage. Left and right hand upper external stowage for tools, warning triangle, and first aid kit.